

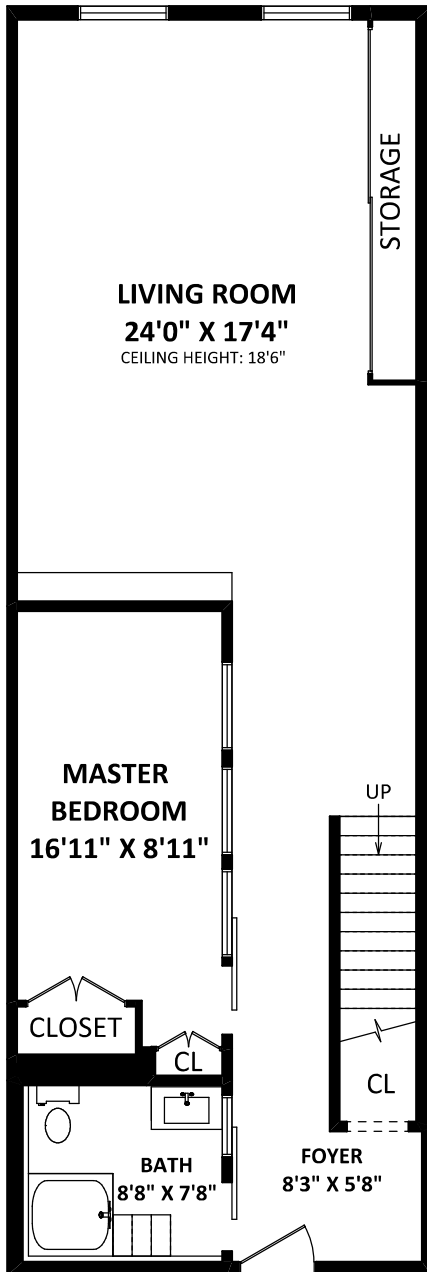


NAOMI MORRISON
Personal Real Estate Corporation

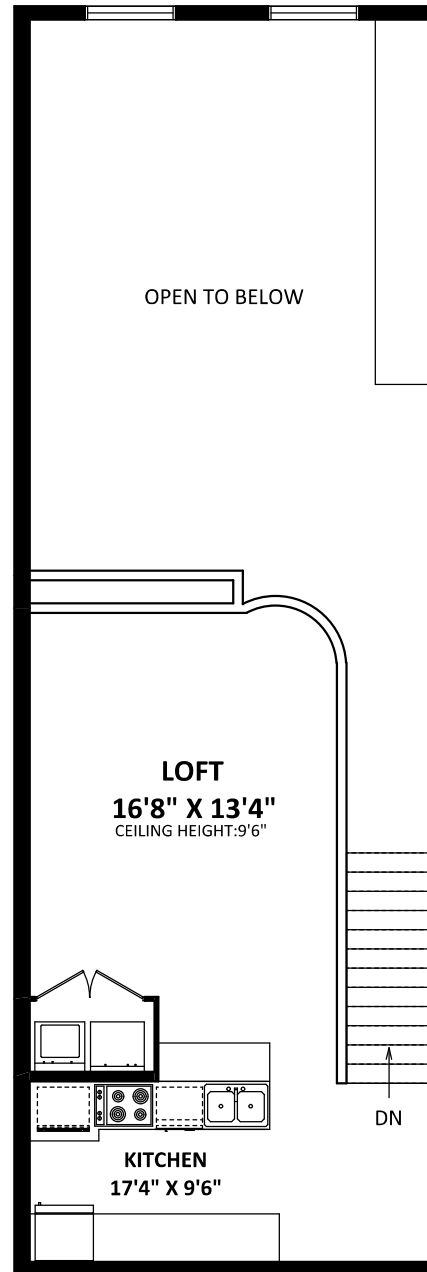
Macdonald Realty Ltd. Vancouver
Cell: 604-781-0207
Office: 604-876-8776
naomi@macrealty.com
www.naomimorrison.com

#312 1220 E Pender Street,
Vancouver, BC

**TOTAL FINISHED AREA:
1492 SQ.FT.**



MAIN FLOOR: 1004 SQ.FT.



UPPER FLOOR: 488 SQ.FT.

DISCLAIMER:

1. MEASUREMENTS ARE FOR PROMOTIONAL USE ONLY & ARE NOT INTENDED FOR CONSTRUCTION USE. ROOM DIMENSIONS ARE APPROXIMATE. MEASUREMENTS & CALCULATIONS FOR FINISHED AREAS ARE E&O INSURED.
2. FINISHED AREAS ARE ENCLOSED AREAS IN A HOUSE THAT ARE SUITABLE FOR YEAR-ROUND USE, EMBODYING WALLS, FLOORS, AND CEILINGS THAT ARE SIMILAR TO THE REST OF THE HOUSE. (ANSI Z765-2013)
3. THIS FLOOR PLAN MAY ONLY BE REPRODUCED WITH PERMISSION OF THE REALTOR(S) ON THIS FLOOR PLAN.
* ANY MEASUREMENT WITH AN ASTERISK (*) OR (APPROX) ARE APPROXIMATE AND FOR ILLUSTRATION PURPOSES ONLY AND ARE NOT E&O INSURED.

FLOOR PLAN BY:

[JANUARY 16, 2019]



TEL: 604-575-1244
www.seevirtual360.com

